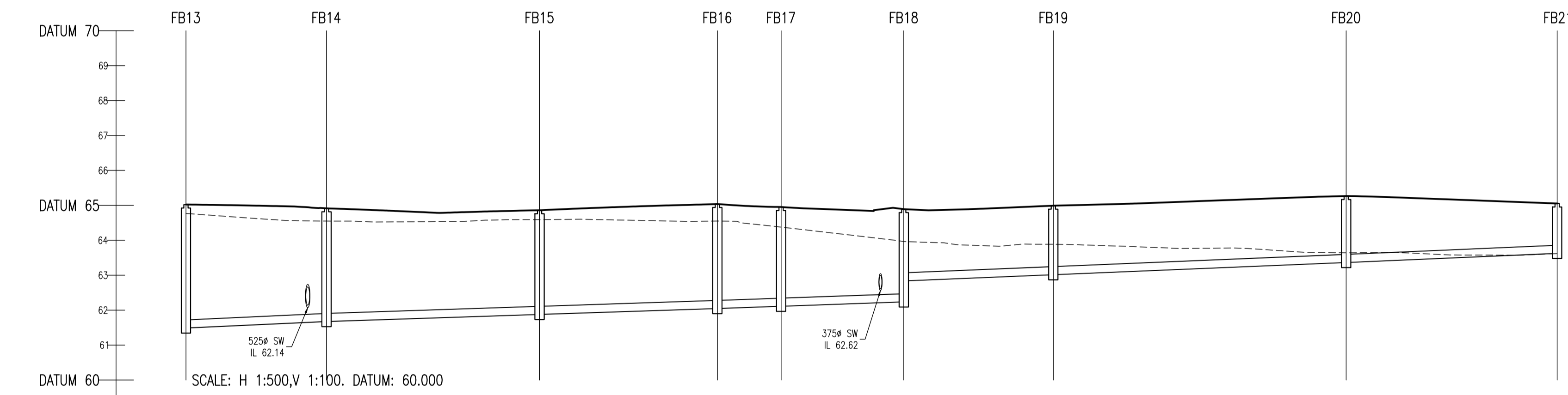
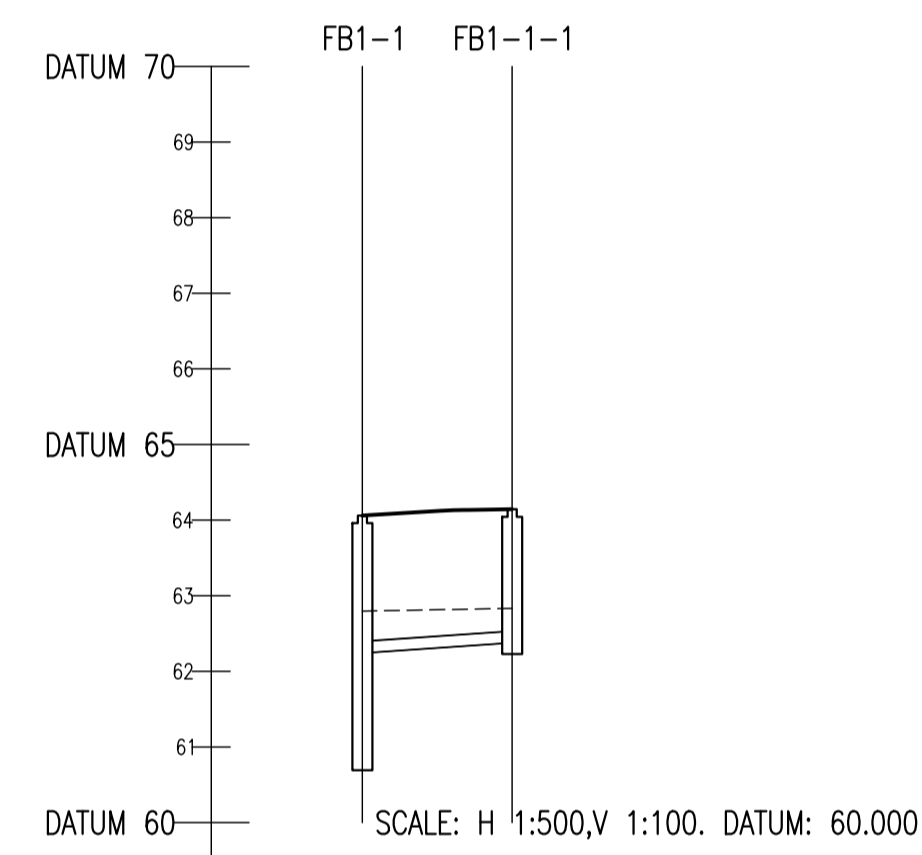


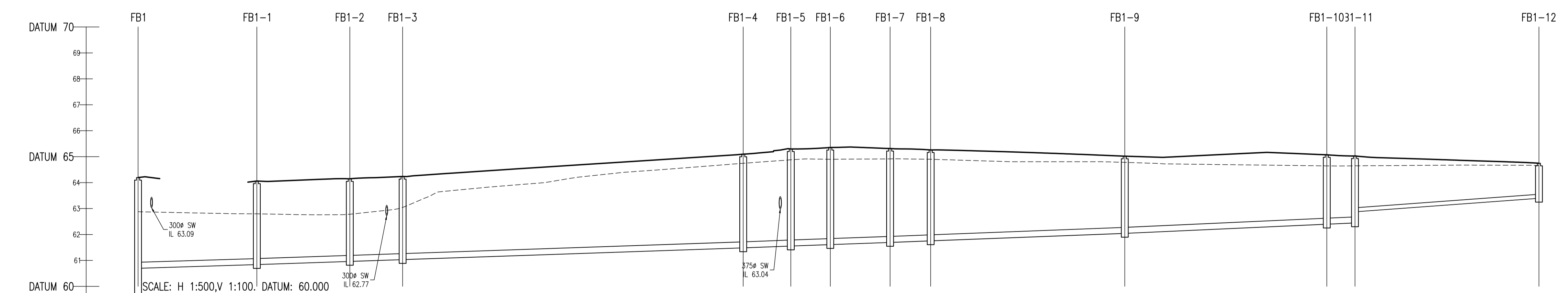
COVER LEVEL	63.942	64.194	64.029		63.776	63.862	63.806	63.770	64.392	64.886	65.083	65.157	65.205	65.104	65.023
INVERT LEVEL	59.022	59.174	59.302	59.302	59.487	59.574	59.638	59.784	60.743	60.838	60.982	61.031	61.197	61.356	61.492
DEPTH (m)	4.880	5.020	4.727	4.289	4.288	4.168	4.008	3.649	4.045	4.107	4.126	4.009	3.748	3.531	
DISTANCE (m)		24.42	25.54	37.00	17.44	12.81	25.27	25.06	17.73	25.92	8.41	28.12	26.28	21.78	
PIPE SLOPE		1:200	1:200	1:200	1:200	1:200	1:188	1:188	1:180	1:170	1:170	1:165	1:160		
PIPE SIZE		225mm	225mm	225mm	225mm	225mm	225mm	225mm	225mm	225mm	225mm	225mm	225mm	225mm	



COVER LEVEL	65.023	64.915	64.880	65.039	64.953	64.892	64.991	65.266	65.054
INVERT LEVEL	61.492	61.678	61.881	62.050	62.115	62.240	63.018	63.367	63.629
DEPTH (m)	3.531	3.237	2.979	2.989	2.838	2.652	1.973	1.899	1.425
DISTANCE (m)		20.10	30.47	9.11	17.54	21.38	41.87	30.17	
PIPE SLOPE		1:108	1:150	1:150	1:140	1:120	1:115		
PIPE SIZE		225mm	225mm	225mm	225mm	225mm	225mm	225mm	

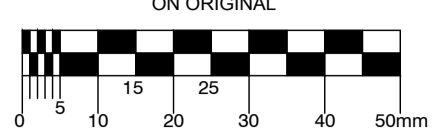


COVER LEVEL	64.960	64.144
INVERT LEVEL	62.244	62.380
DEPTH (m)	3.217	1.764
DISTANCE (m)	9.90	
PIPE SLOPE	1:73	
PIPE SIZE	150mm	



COVER LEVEL	64.194	64.060	64.147	64.235	65.096	65.297	65.354	65.315	65.259	65.018	65.073	65.027	64.748
INVERT LEVEL	60.700	60.943	60.965	61.035	61.487	61.558	61.614	61.697	61.758	62.046	62.400	62.749	63.398
DEPTH (m)	5.020	3.217	3.182	3.200	3.609	3.739	3.740	3.618	3.501	2.972	2.673	2.578	1.350
DISTANCE (m)		22.87	17.91	10.17	65.60	9.16	7.60	11.52	7.81	37.38	5.43	35.43	
PIPE SLOPE		1:160	1:147	1:145	1:145	1:129	1:136	1:139	1:128	1:130	1:111	1:88	
PIPE SIZE		225mm	225mm	225mm	225mm	225mm	225mm	225mm	225mm	225mm	225mm	150mm	

© COPYRIGHT OF THIS DRAWING IS RESERVED BY DBFL CONSULTING ENGINEERS. NO PART SHALL BE REPRODUCED OR TRANSMITTED WITHOUT THEIR WRITTEN PERMISSION.



- NOTES:
- ALL DRAWINGS TO BE CHECKED BY CONTRACTOR ON SITE AND ENGINEER INFORMED OF DISCREPANCIES BEFORE WORK COMMENCES
  - ALL LEVELS ARE IN METRES AND ARE RELATED TO ORDNANCE DATUM
  - CONTRACTOR SHALL SATISFY HIMSELF AS TO THE ACCURACY OF PAVEMENT LEVELS ON SITE PRIOR TO COMMENCEMENT OF WORKS ON SITE
  - ALL WORKS TO BE CONSTRUCTED IN ACCORDANCE WITH THE NRA SPECIFICATION FOR ROAD WORKS UNLESS NOTED OTHERWISE
  - THIS DRAWING IS FOR PLANNING PURPOSES ONLY
  - MANHOLE COVER LEVELS ARE TO CONFORM WITH FINISHED ROAD AND PATH LEVELS
  - WHERE COVER TO PIPE IS LESS THAN 1200mm (ROAD/PATH/VERGE) OR 900mm (OPEN SPACE) SURROUND PIPE IN MINIMUM 150mm CONCRETE

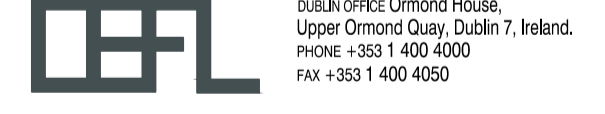
KEY

- - - - - EXISTING GROUND PROFILE
- PROPOSED GROUND PROFILE

PT	17/12/19	PLANNING ISSUE	PJC	BCM
REV	DATE	DESCRIPTION	BY	CHKD

STAGE 2 - PLANNING

DESIGNED	BCM	PREPARED	PJC
DATE	OCT 2019	CHECKED	DJR



Dublin Office: Ormrod House, Upper Ormrod Quay, Dublin 7, Ireland. PHONE +353 1 400 4000 FAX +353 1 400 4050  
 Waterford Office: Unit 2, The Chandlery, 1-2 O'Connell Street, Waterford, Ireland. PHONE +353 51 338 550 FAX +353 51 844 913

DBFL Consulting Engineers email: info@dbfl.ie site: www.dbfl.ie

PROJECT  
**NEWTOWNMOYAGHY SHD**

DRG. TITLE  
**LONGITUDINAL SECTIONS THROUGH FOUL SEWER SHEET 4 OF 6**

CLIENT  
**MCGARRELL REILLY**

SCALE H 1:500, V 1:100 @A1 FILE REF. 190009-DBFL-XX-XX-DR-C-3021

DRG. NO. 190009-DBFL-XX-XX-DR-C-3034 P1